

Revision History

Date	Rev No	Sheet (New)	Item	Old	New	Reason

Caution and Handling Precaution

For your end user's safety, it is strongly advised that the items with "*" should be included in the instruction manual of the system which may be issued by your organization.

For Safety



Warning

- (1) Toshiba Matsushita Display Technology's Standard LCD modules have not been customized for operation in extreme environments or for use in applications where performance failures could be life-threatening or otherwise catastrophic. Since they must never be installed in aircraft navigation control systems (such as, but not limited to Traffic Collision System and Air traffic Indicator), in military defense or weapons systems, in critical industrial process-control systems (e.g., those involved in the production of nuclear energy), or in critical medical device or patient life-support systems.
- (2) DISCONNECT POWER SUPPLY before handling LCD module.
DO NOT TOUCH the parts inside LCD module and the fluorescent lamp's (hereinafter called "FL") connector or cable in order to prevent electric shock, because high voltage is supplied to these parts from the inverter unit while power supply is turned on.
- (3) Make sure to insert the module FL connector to the inverter connector in correct position.
Do not insert in irregular position.
If incorrect, this may cause smoke or burn of electrical parts by high voltage of FL circuit.
If there is a possibility that the connector has been inserted incorrectly, please re-insert the connector only after you confirm the module and FL power is completely off. When disconnecting connector, do not pull on the cable.
DO NOT USE the mating FL connector which Toshiba Matsushita Display Technology does not specify.
Otherwise, Toshiba Matsushita Display Technology shall not be liable for any damages caused by the connector.



Caution

- (1) DO NOT DISASSEMBLE OR MODIFY the module.
Sensitive parts inside LCD module may be damaged, and dusts or scratches may mar the displays.
Toshiba Matsushita Display Technology does not warrant the modules, if customer disassembled or modified them.
- * (2) DO NOT INGEST liquid crystal material, DO NOT INHALE this material, and DO NOT PERMIT this material to contact the skin, if glass of LCD panel is broken.
If liquid crystal material contacts the skin, mouth or clothing, take the following actions immediately.
In case contact to the eye or mouth, rinse with large amount of running water for more than 15 minutes. In case contact to the skin or clothing, wipe it off immediately and wash with soap and large amount of running water for more than 15 minutes. The skin or clothing may be damaged if liquid crystal material is left adhered.
In case ingestion, rinse out the mouth well with water. After spewing up by drinking large amount of water, get medical treatment.
- * (3) BE CAREFUL WITH CHIPS OF GLASS that may cause injuring fingers or skin, when the glass is broken.
Since FL is also made of glass, when FL is built in, handle it with due caution a well.
- (4) Be careful with handling the metal frame (bezel) of a module. Even though burr disposal treatment is performed, it may cause injuring. Be careful with edges of glass parts and touch panel identically. For designing the system, give special consideration that the wiring and parts do not touch those edges.
- (5) DO NOT EXCEED the absolute maximum rating values under the worst probable conditions caused by the supply voltage variation, input voltage variation, variation in parts' constants, ambient temperature, etc., otherwise LCD module may be damaged.

- (6) Don't exceed "the recommended operation conditions" in this specification. (The LCD panel should be used within "the recommended operation conditions".)

The performance and quality of the LCD panel are warranted only when the LCD panel is used within "the recommended operation conditions". Toshiba Matsushita Display Technology never warrants the performance and quality of the LCD panel when you use the LCD panel over "the recommended operation conditions", although within "the absolute maximum rating".

To use the LCD panel over "the recommended operation conditions" may have bad influence on the characteristics and reliability of the LCD panel and may shorten the life of the LCD panel.

Therefore, when designing the whole set, not to be over "the recommended operation conditions", you should fully take care of supply voltage change, characteristic of connection parts, surge of input-and-output line, and surrounding temperature.

- (7) Suitable protection circuit should be applied for each system design.
DO NOT MODIFY the fuse used in the module. It may cause overheat and/or burning if dusts or metal particles are on the PCBs in the LCD module.
- (8) Be sure that power supply output from the system should be limited to smaller values than listed shown below. (For example Quick Arcing Fuse with listed ratings can be used.)

It is because this LCD module explained in this specification has a current limiter, with such function at power input line(s). But it may be some possibility of overheat and/or burning of LCD module and its peripheral devices before current limiter of the module when open-short test of the module is performed by using power supply higher than following recommended value.

Power supply	Recommended maximum output current of power supply	Recommended Fuse Rating (in case of using fuse for current limiter)	Built-in Fuse Rating (for reference)
V _{DD}	<u>4.0</u> A	<u>0.5-3.0</u> A	<u>1.25</u> A

- (9) Always comply with all applicable environmental regulations, when disposing of LCD.
- (10) When FL becomes extremely dark and its color changes from white to pink, stop the use of the module immediately. FL, at the end of its life with its discharge color turns into pink as the characteristics of FL, may adversely affect the module at the end part of FL due to temperature raising caused by depletion of the mercury which is contained in FL tube, or may have a possibility of breakage.

For Designing the System

- (1) Toshiba Matsushita Display Technology always endeavor to maintain sufficient quality of the LCD panel in process of designing and manufacturing, however, to avoid causing extended damages such as accidents resulting in injury or death, fire accidents, or social damages if the LCD panel fails, please adopt safe design as a whole set, by adopting redundant design, taking measure in set design to prevent fire-spreading, over-current, or incorrect operation, etc.
- (2) LCD module should be assembled to the system by using all mounting holes specified in this specification and with the specified screws. In addition, some modules may not be necessary to use all the mounting holes. Make comprehensive judgments on the entire system.

- (3) Power supply lines should be designed as follows.
 Power supplies should always be turned on before the input signals are supplied to LCD module, and the input signals should be disconnected before power supplies are turned off.
 If the sequence does not satisfy specified conditions, it may cause miss-operation of the panel.
 Refer to "2.4.2 Sequence of Power Supplies and Signals" for the detailed specification.
 In addition, refer to individual specifications for unused terminals.
- (4) DO NOT GIVE high voltage to "Low Voltage" side of the FL.
 For example, DO NOT USE a floating inverter which gives high voltage to "Low Voltage" side. it may cause insufficient brightness or unstable operation of FL, and smoke or burn of the parts.
- (5) Make sure to connect correctly high-voltage wire and low-voltage wire between FL tube and inverter unit.
- (6) Input FL starting voltage(V_{SFL}) should not be less than two second.
 If it were less than two second, it may cause unstable operation of FL.
 Inverter should be design to stop output when the inverter is no-load to FL tubes (due to breakage of FL, etc.) to prevent high-voltage generation.
 When high voltage is applied to FL continuously without normal operation of FL (due to output leakage within FL wiring circuit, etc.) it may cause smoke or burn. To prevent excess current, design the inverter with a protection circuit such as a current limiter (excess current detection) to stop inverter output.
 Please adjust inverter circuit parameters, such as capacitor, resistor, to assure the display quality is maintained.
 There is a possibility that flicker is observed by the interference of LCD operating signal timing and FL driving condition (especially driving frequency).
- (7) In case of severe environmental condition like outdoor usage, a proper transparent protective cover(lens) over LCD module is recommended to apply in order to prevent scratches, and invasion of dust, water, etc., from the system's window onto LCD module.
 Ultra-violet ray cut filter is recommended to apply onto LCD module for outdoor operation. Strong ultra-violet ray may cause damage the panel. However, in that case, transmittance-luminance will decrease. Careful selection of material is required.
- (8) Design the system not to display same pattern for a long time in order to prevent image sticking on the panel. Note that incorrect sequence of power supplies and input signals may cause the sticking on the panel, too.
- (9) Some plastic materials and shock absorbing materials (rubber) used in the system may generate gases that may cause the deterioration of the polarizer laminated on LCD's panel or internal parts of the module. Prior confirmation is required.
- (10) Some materials used for packaging (for which sulfuric acid is used in the recycling process) generate gases that may cause the deterioration of the polarizer laminated on LCD's panel or internal parts of the module. Prior confirmation is required.

For Installation in Assembly

- (1) The C-MOS LSIs used in LCD module are very sensitive to ESD (Electro-static Discharge).
 Ambient humidity of working area is recommended to be higher than 50%(RH).
 Person handling LCD modules should be grounded with wrist band. Tools like soldering iron and screw driver, and working benches should be grounded.
 The grounding should be done through a resistor of 0.5-1M Ω in order to prevent spark of ESD.
- (2) When remove protection film from LCD panel, peer off the film slowly (more than three seconds) from the edge of the panel, using a soft-pointed tweezers covered by Teflon or adherent tape.

- (3) Reduce dust level in working area. Especially the level of metal particle should be decreased.
Use finger stalls or soft and dust-free gloves in order to keep clean appearance of LCD module when handled for incoming inspection and assembly.
- * (4) When LCD panel becomes dirty, wipe off the panel surface softly with absorbent cotton or another soft cloth.
If necessary, breathe upon the panel surface and then wipe off immediately and softly again.
If the dirt can not be wiped off, absorbent cotton wetted a little with normal-hexane or petroleum benzine can be used for wiping the panel.
Be careful not to spill this solvent into the inside of LCD module. Driver ICs and PCB area used inside LCD module may be damaged by the solvent.
- * (5) AVOID THE CONDENSATION OF WATER
Wipe off a spot or spots of water of mist and chemicals of mist on LCD panel softly with absorbent cotton or another cloth as soon as possible if happened, otherwise discoloration or stain may be caused. If water invade into LCD module, it may cause LCD module damages.
- * (6) Do not expose LCD module to the gas (which is not normally contained in the atmosphere), it may cause mis-operation or defects.
- * (7) DO NOT APPLY MECHANICAL FORCES.
Do not bend or twist LCD module even momentary when LCD module is installed an enclosure of the system. Bending or twisting LCD module may cause its damages.
Make sure to design the enclosure that bending/twisting forces are not applied to LCD module when it is installed in the system.
Refrain from strong mechanical shock like dropping from the working bench or knocking against hard object.
These may cause glass of the panel crack, damage of FL or other miss-operation.
- * (8) Refrain from excessive force like pushing the surface of LCD panel. This may cause damage of the panel or electrical parts on PCB.
- * (9) Do not put heavy object such as tools, books, etc., and do not pile up LCD modules.
Be careful not to touch surface of the polarizer laminated to the panel with any hard and sharp object. The polarizer is so soft that it can easily scratched, even the protect film covers it.
- (10) When inserting or disconnecting the connectors to LCD module, be sure not to apply force against PCB, nor connecting cables, otherwise internal connection of PCB and TAB drivers may be damaged.
Do not fasten screws while putting cables like those for interface or FL between LCD module and the enclosure.
Make sure to insert the module FL connector to the inverter connector in correct position.
If incorrect, this may cause smoke or burn of electrical parts by high voltage of FL circuit.
- (11) Be careful not to pull the FL cables of the backlight in order to avoid mechanical damage in FL lamp and soldering area.
Be careful not to pull or not to hurt the FPC (Flexible Printed Circuit) cables.
- (12) Power supplies should always be turned off in assembling process.
Do not connect or disconnect the power cables and connectors with power applied to LCD module. This may cause damage of module circuit.
The signal should be applied after power are turned on. And the signal should be removed before power supplies are turned off. (Refer to "For Designing The System"(2).)
- * (13) In case of LCD long period operation, discoloration of light guide or optical sheet will be happened due to ultra violet and heat from CCFL. As the result, there is possibility to have out of specification for the optical characteristic as "5.2".
But this is not irregular phenomena. Moreover, CCFL also has the characteristic of color shift by long period operation.

For Transportation and Storage

- (1) Do not store LCD module in high temperature, especially in high humidity for a long time (approximately more than one month).

It is recommended to store LCD module where the temperature is in the range of 0 to 35 °C and the relative humidity is lower than 70%.

- (2) Store LCD module without exposure to direct sunlight or fluorescent lamps in order to prevent the module from strong ultra violet ray.

- * (3) Avoid condensation of water on LCD module, otherwise it may cause mis-operation or defects. Keep away LCD module from such ambient.

- (4) In case of transportation of storage after opening the original packing. LCD module are recommended to be repacked into the original packaging with the same method, especially with same kind of desiccant.

- CONTENTS -

Revision History	Sheet	1
Caution and Handling Precaution		2
1. Scope		8
2. Product Specifications		8
2.1 General Specifications			
2.2 Absolute Maximum Ratings			
2.3 Mechanical Specifications			
2.3.1 Weight			
2.3.2 Dimensional Outline			
2.4 Electrical Specifications			
2.4.1 Circuit Diagram			
2.4.2 Sequence of Power Supplies and Signals			
2.4.3 Timing Chart			
2.4.4 Timing Specifications			
2.4.5 Interface Connector			
2.4.6 Colors Combination Table			
3. Recommended Operating Conditions		21
4. Electrical Characteristics		22
4.1 Test Conditions			
4.2 Specifications			
5. Optical Characteristics		23
5.1 Test Conditions			
5.2 Optical Specifications			
6. Quality		24
6.1 Inspection AQL			
6.2 Test Conditions			
6.3 Dimensional Outline			
6.4 Appearance Test			
6.4.1 Test Conditions			
6.4.2 Specifications			
6.5 Display Quality			
6.5.1 Test Conditions			
6.5.2 Specifications			
6.6 Reliability Test			
6.6.1 Test Conditions			
6.6.2 Specifications			
6.7 Labels			
7. Lifetime		29
7.1 Module			
7.2 Lamp			
7.2.1 Test Conditions			
7.2.2 Specifications			
8. Packaging		30
8.1 Carton			
9. Warranty		31
10. Regulation		31
11. Measuring Method		31
11.1 Measuring Systems			
11.2 Measuring Methods			
12. EDID			

1. Scope

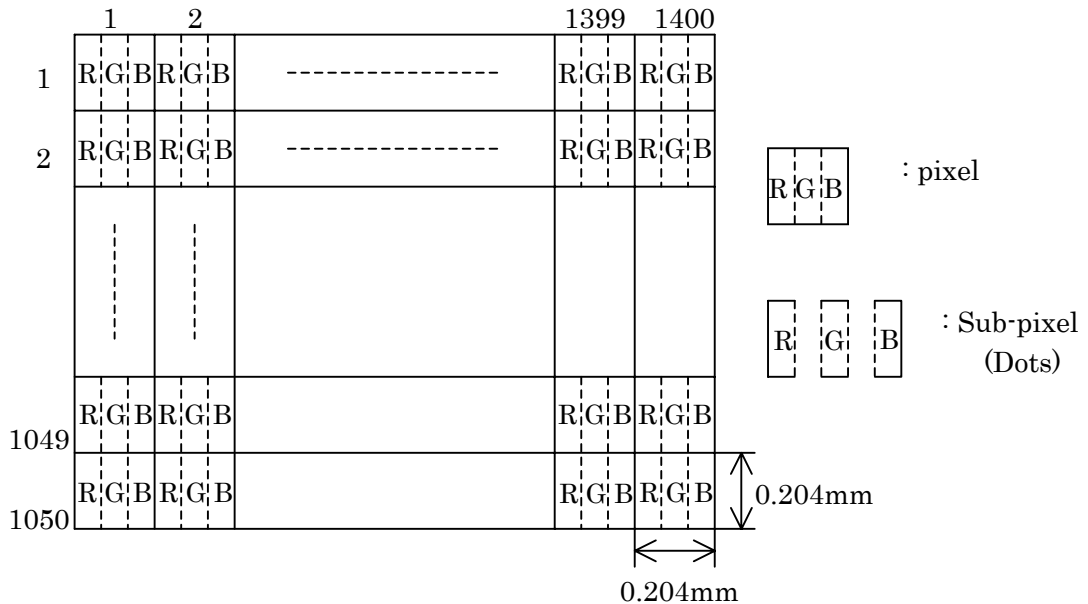
This specification is applicable to Toshiba Matsushita Display Technology's 36cm diagonal size TFT-LCD module "LTD141EM4V" designed for Personal Computer.

2. Product Specifications

2.1 General Specifications

Item	Specifications
Display Mode	TN color(64 gray scales, 262,144 colors) Transmissive type, Normally white
Viewing Direction	6 o'clock (in direction of maximum contrast)
Driving Method	TFT active matrix
Input Signals	LVDS interface CLK+,CLK- IN0+,IN0- IN1+,IN1- IN2+,IN2-
Active Area	285.6 (W) × 214.2 (H) (mm)
Viewing Area	287.6 (W) × 216.2 (H) (mm)
Bezel Opening	289.4 (W) × 218.0 (H) (mm)
Number of Pixels	1400 (W) × 1050 (H) ¹⁾
Pixel Pitch	0.204 (W) × 0.204 (H) (mm) ¹⁾
Pixel Arrangement	RGB vertical stripes ¹⁾
Surface Treatment	Anti-glare and hard coat 3H on LCD surface
Backlight	Single cold-cathode fluorescent lamp for sidelighting
Dimensional Outline	299.0 (W) × 228.0 (H) × 5.5max. (D) (mm)

Note 1)



2.2 Absolute Maximum Ratings ¹⁾

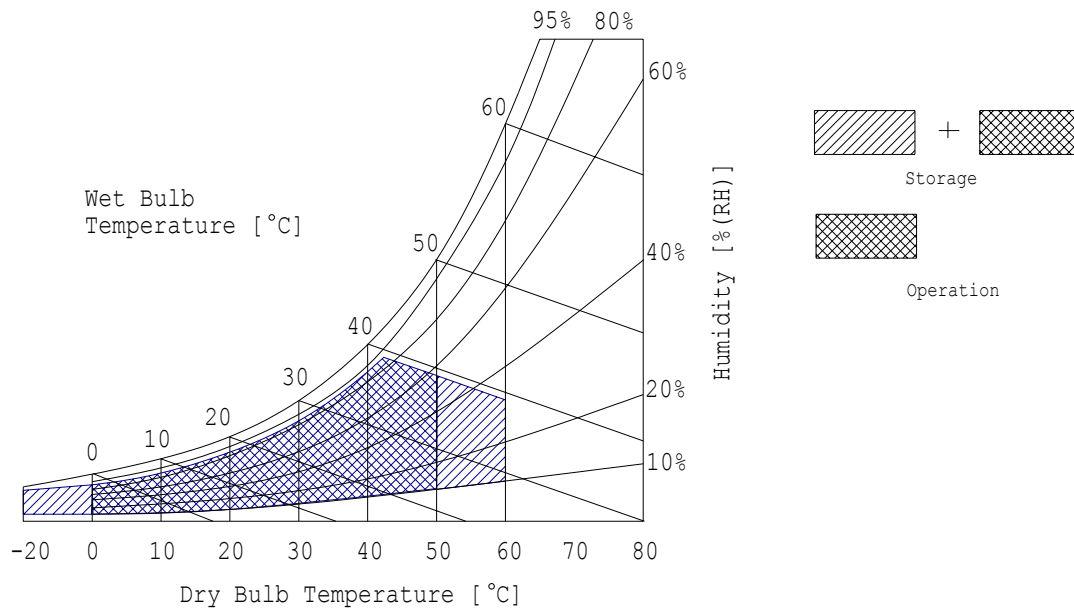
Item	Symbol	Min.	Max.	Unit	Checked Terminal ⁴⁾
Supply Voltage	V_{DD}	-0.3	+4.0	V	$V_{DD} - GND$
Input Voltage of Signals	V_{IN}	-0.3	$V_{DD}+0.3$	V	LVDS interface
FL Driving Voltage	V_{FL}	-	2.0	kV(rms)	
FL Driving Frequency	f_{FL}	0	100	kHz	
Operating Ambient Temperature ²⁾	T_{OP}	0	+50	°C	
Operating Ambient Humidity ²⁾	H_{OP}	10	90	%(RH)	
Storage Temperature ²⁾	T_{STG}	-20	+60	°C	
Storage Humidity ²⁾	H_{STG}	10	90	%(RH)	
Operating Temperature for Panel ³⁾	-	0	+60	°C	

Note1) Do not exceed the maximum rating values under the worst probable conditions taking into account the supply voltage variation, input voltage variation, variation in part constants, and ambient temperature and so on. Otherwise the module may be damaged.

2) Wet bulb temperature should be 39°C Max, and no condensation of water. See figure below.

3) The surface temperature caused by self heat radiation of cell itself is specified on this item.

4) Refer to 2.4.5



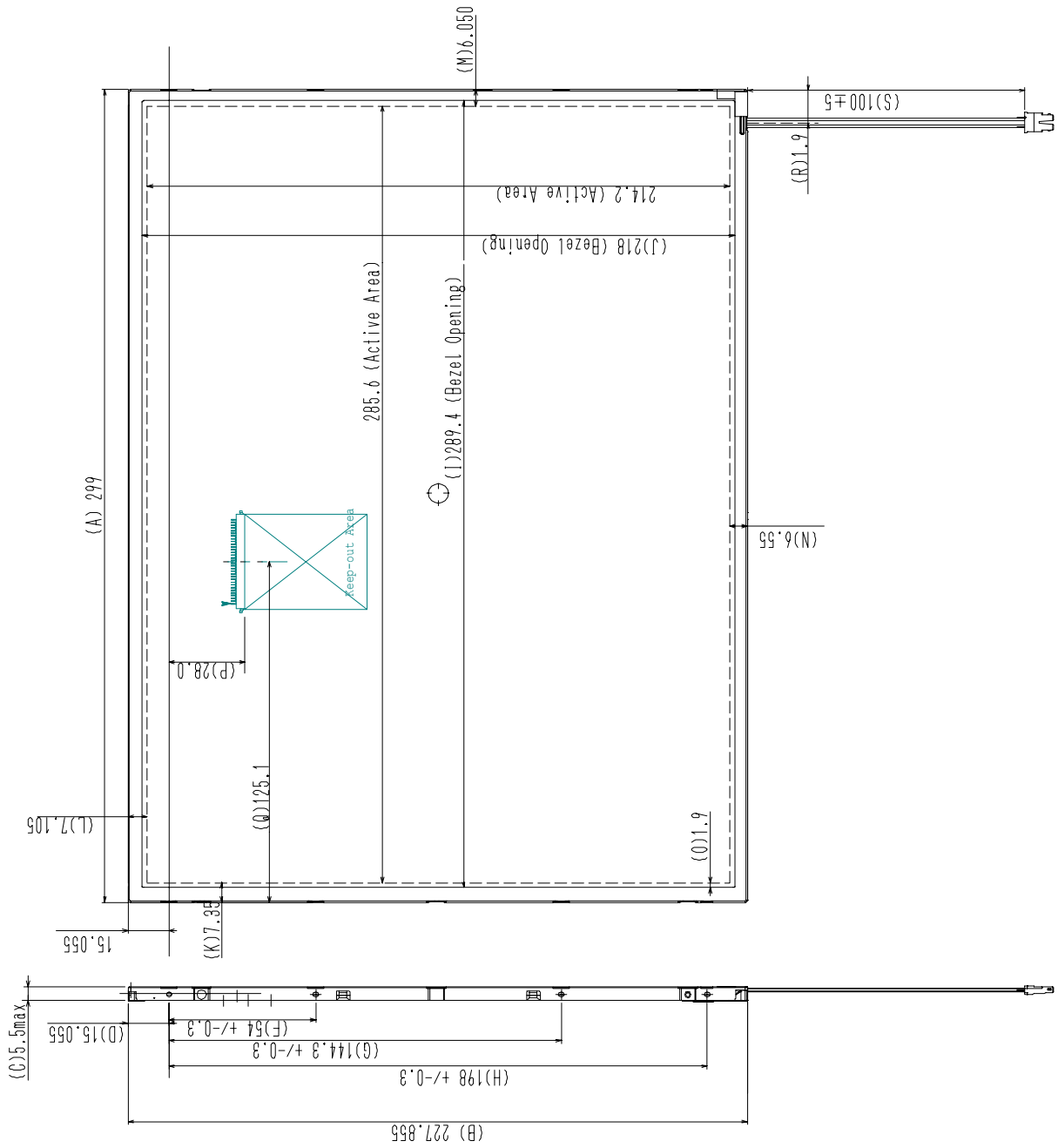
2.3 Mechanical Specifications

2.3.1 Weight

390 ± 20 (g)

2.3.2 Dimensional Outline
(front figure)

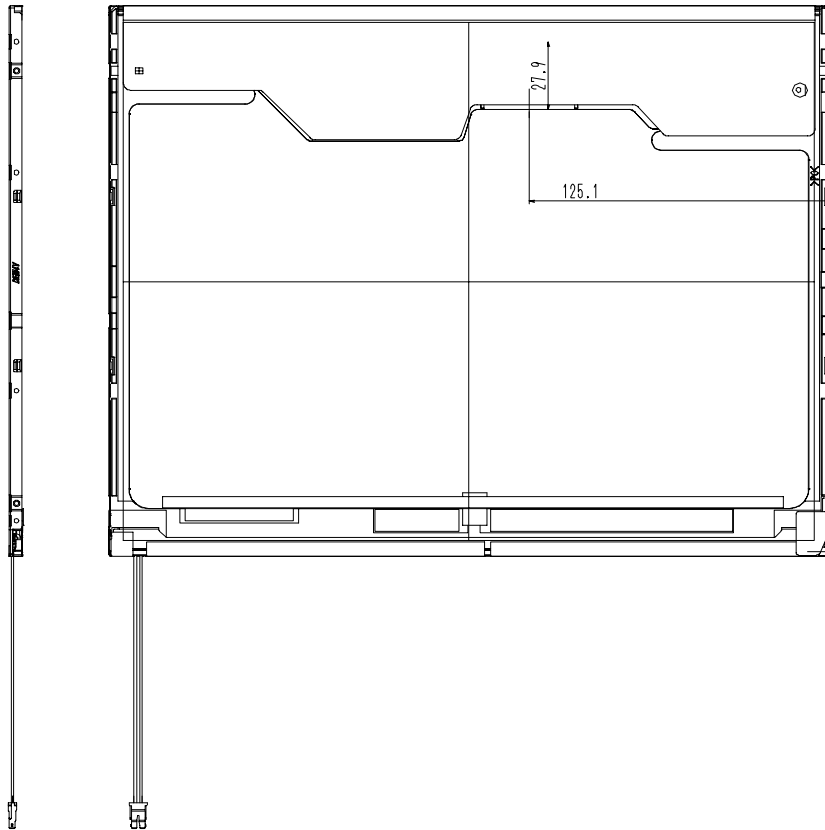
Unit : mm
Standard Tolerance: ±0.5



Note) If customer remove tape for fixing FL cable, Toshiba Matsushita Display Technology can not guarantee.

<p>Toshiba Matsushita Display Technology Co.,Ltd</p>	<p>Date:2004-08-03 Date: - -</p>	<p>New No.NR-LTD141EM4V-11 Old No.</p>
---	--------------------------------------	--

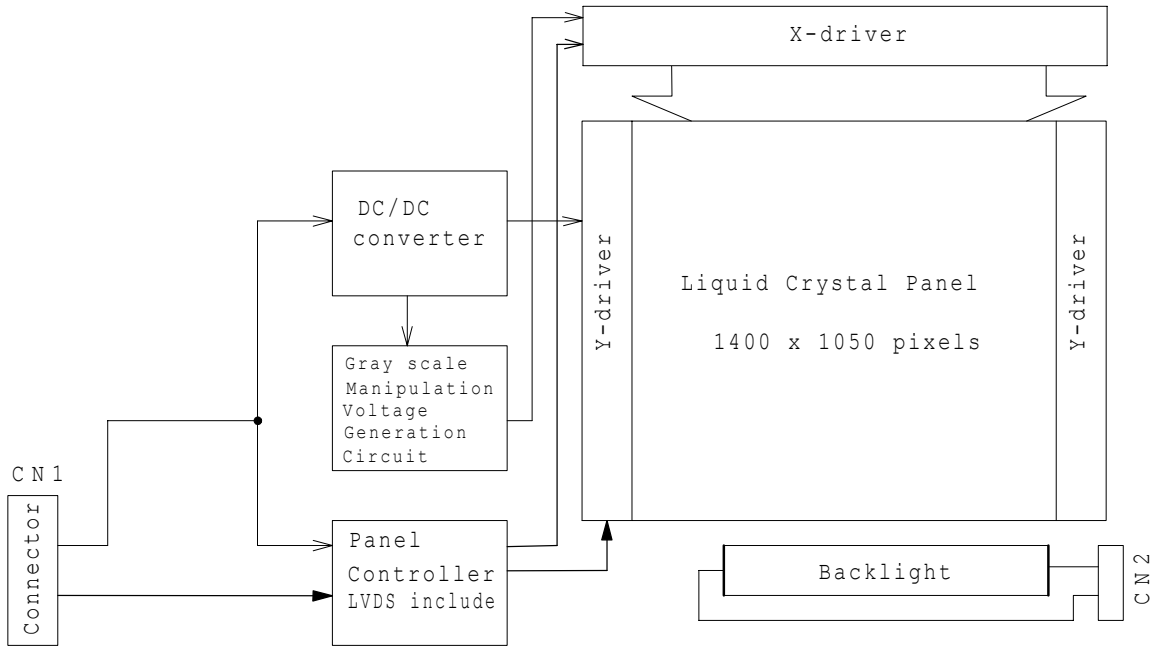
 **Warning**



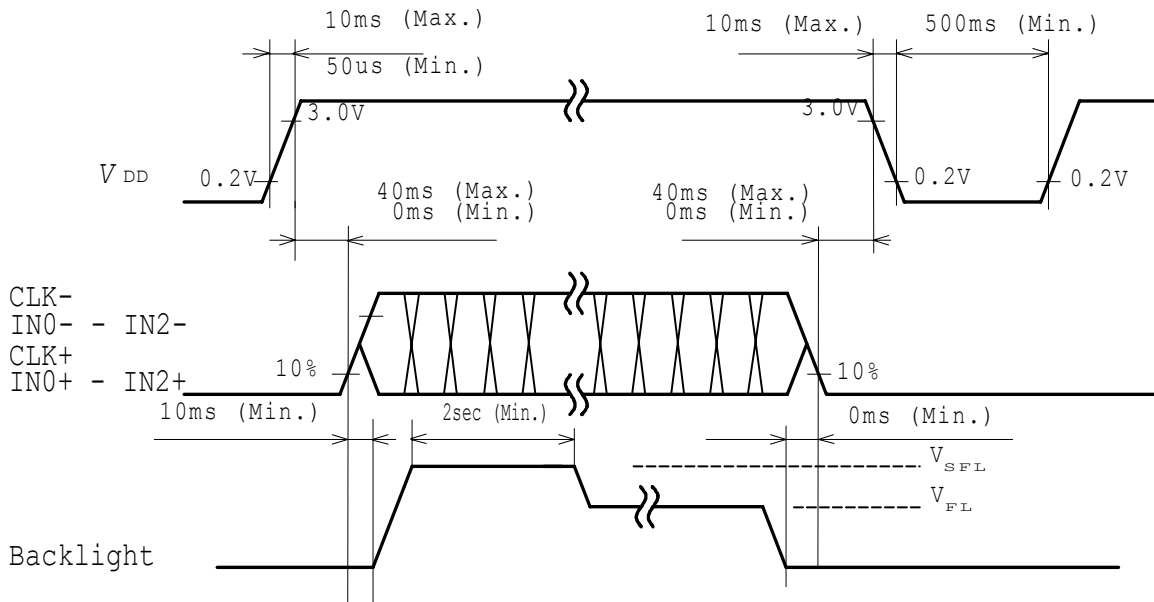
Note 1) Never push LCD back side. If LCD back side was pressed, It may cause damage of the back light system.

2.4 Electrical Specifications

2.4.1 Circuit Diagram

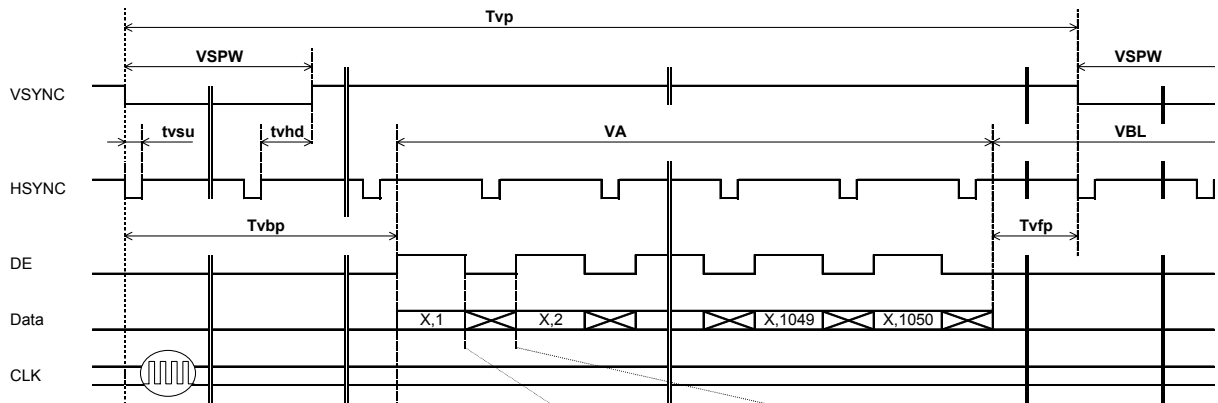


2.4.2 Sequence of Power Supplies and Signals

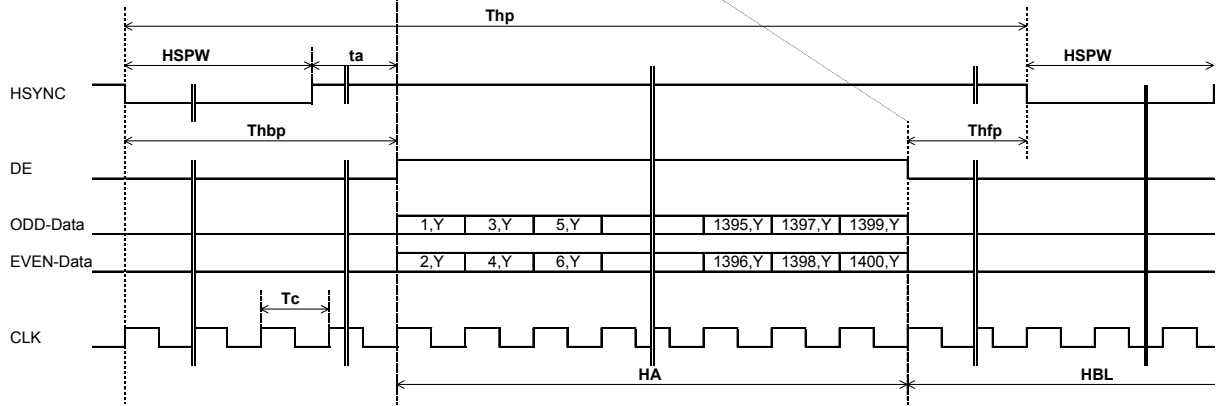


2.4.3 Timing Chart

(1) Vertical Timing



(2) Horizontal Timing



2.4.4 Timing Specifications ^{1) 2) 3) 4) 5) 6) 7)}

Item	Symbol	min.	typ.	max.	unit
Horizontal Scanning Term	<i>Thp</i>	828	844	1024	<i>Tc</i>
H-sync Pulse Width	<i>HSPW</i>	8	-	-	<i>Tc</i>
Horizontal Front Porch	<i>thfp</i>	8	-	-	<i>Tc</i>
Horizontal Back Porch	<i>ta</i>	8	-	-	<i>Tc</i>
Horizontal Blanking Term	<i>HBL</i>	128	144	324	<i>Tc</i>
Horizontal Display Term	<i>HA</i>	700	700	700	<i>Tc</i>
Frame Period	<i>Tvp</i>	1059	1066	1152	<i>Thp</i>
V-sync Pulse Width	<i>VSPW</i>	1	-	-	<i>Thp</i>
V-sync Set Up Time (to H-sync)	<i>tvsu</i>	8	-	-	<i>Tc</i>
V-sync Hold Time	<i>tvhd</i>	8	-	-	-
Vertical Front Porch	<i>tvfp</i>	1	-	-	-
Vertical Back Porch	<i>Tvbp</i>	4	-	-	-
Vertical Blanking Term	<i>VBL</i>	9	16	102	<i>Thp</i>
Vertical Display Term	<i>VA</i>	1050	1050	1050	<i>Thp</i>
DE Pulse Width	<i>HA</i>	700	700	700	<i>Tc</i>
Clock Period	<i>Tc</i>	17.96	18.519	19.597	ns

Note 1) Refer to "Timing Chart" and LVDS (THC63LVDF84A-85) specifications by Thine Electronics, Inc.

Note 2) If CLK is fixed to "H" or "L" level for certain period while DE is supplied, the panel may be damaged.

Note 3) Please adjust LCD operating signal timing and FL driving frequency, to optimize the display quality.

There is a possibility that flicker is observed by the interference of LCD operating signal timing and FL driving condition (especially driving frequency), even if the condition satisfies above timing specifications and recommended operating conditions shown in 3.

Note 4) Do not make *tv*, *th*, *thbp* and *tvds* fluctuate.

If *tv*, *th*, *thbp* and *tvds* are fluctuate, the panel displays black.

Note 5) In case of using the long frame period, the deterioration of display quality, noise etc. may be occurred.

Note 6) CLK count of each Horizontal Scanning Time should be always the same.

V-Blanking period should be "*n*" X "Horizontal Scanning Time". (*n*: integer)

Frame period should be always the same.

Note 7) Please keep below equations.

$$VBL = Tvfp + Tvbp$$

$$HSPW = HBL - Thfp - ta$$

$$Thbp = HSPW + ta$$

2.4.5 Interface Connector

CN1 INPUT SIGNAL (FI-XB30SRL-HF11 / JAE)

[Mating Connector :Wire Type FI-X30H(Housing), FI-XC3-1-15000(Contact)

FPC Type FI-X30M or FI-X30MR, Coax Type FI-X30C or FI-X30C2(Housing), FI-X30CH-7000(Shell)]

Terminal No.	Symbol	Function
1	V_{SS}	GND
2	V_{DD}	POWER SUPPLY : +3.3V
3	V_{DD}	POWER SUPPLY : +3.3V
4	V_{EDID}	DDC 3.3V POWER SUPPLY : +3.3V
5	NC	Non-Connection
6	CLK_{EDID}	DDC Clock
7	$DATA_{EDID}$	DDC Data
8	RxOIN0-	Negative LVDS differential data input (Odd), [R0-R5, G0]
9	RxOIN0+	Positive LVDS differential data input (Odd), [R0-R5, G0]
10	V_{SS}	GND
11	RxOIN1-	Negative LVDS differential data input (Odd), [G1-G5, B0-B1]
12	RxOIN1+	Positive LVDS differential data input (Odd), [G1-G5, B0-B1]
13	V_{SS}	GND
14	RxOIN2-	Negative LVDS differential data input (Odd), [B2-B5, HS, VS, DE]
15	RxOIN2+	Positive LVDS differential data input (Odd), [B2-B5, HS, VS, DE]
16	V_{SS}	GND
17	RxOCLKIN-	Negative LVDS differential clock input (Odd)
18	RxOCLKIN+	Positive LVDS differential clock input (Odd)
19	V_{SS}	GND
20	RxEIN0-	Negative LVDS differential data input (Even), [R0-R5, G0]
21	RxEIN0+	Positive LVDS differential data input (Even), [R0-R5, G0]
22	V_{SS}	GND
23	RxEIN1-	Negative LVDS differential data input (Even), [G1-G5, B0-B1]
24	RxEIN1+	Positive LVDS differential data input (Even), [G1-G5, B0-B1]
25	V_{SS}	GND
26	RxEIN2-	Negative LVDS differential data input (Even), [B2-B5, HS, VS, DE]
27	RxEIN2+	Positive LVDS differential data input (Even), [B2-B5, HS, VS, DE]
28	V_{SS}	GND
29	RxECLKIN-	Negative LVDS differential clock input (Even)
30	RxECLKIN+	Positive LVDS differential clock input (Even)

CN2 CCFL POWER SOURCE (BHSR-02VS-1/JAPAN SOLDERLESS TERMINAL MFG CO., LTD.)

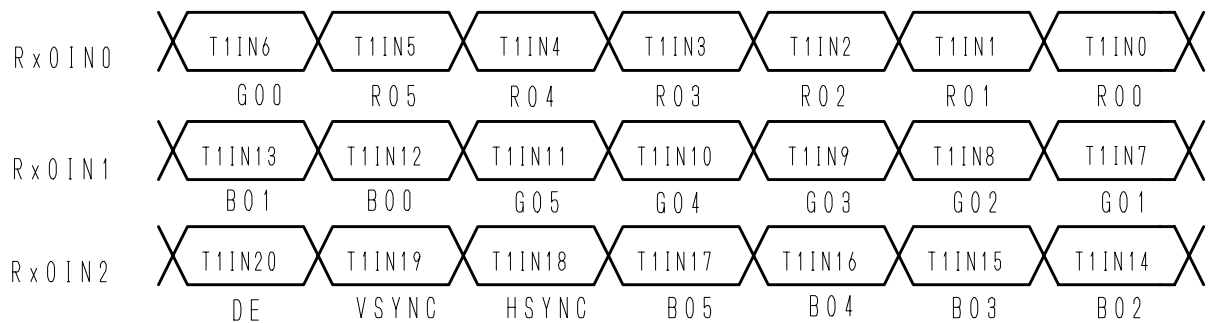
[Mating Connector : SM02B-BHS-1/JAPAN SOLDERLESS TERMINAL MFG CO., LTD.]

Terminal No.	Symbol	Function
1	V_{FLH}	CCFL POWER SUPPLY (HIGH VOLTAGE)
2	V_{FLL}	CCFL POWER SUPPLY (LOW VOLTAGE)

Note 2) 262,144 colors are displayed by the combinations of 18 bits data. (See next page)

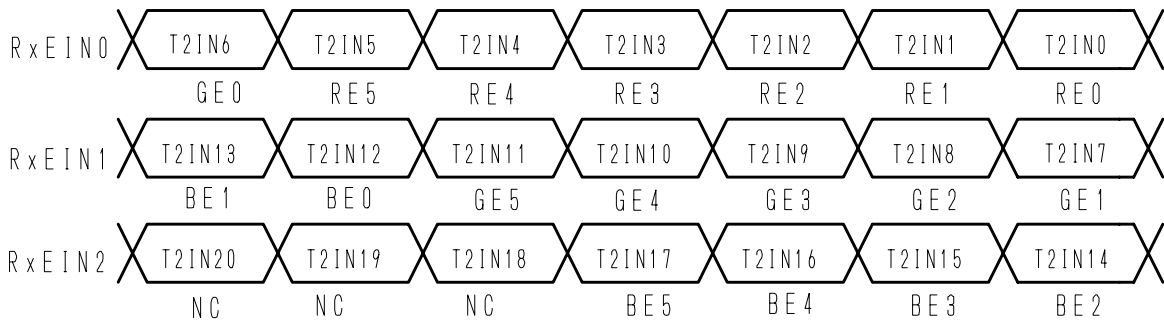
**RECOMMENDED TRANSMITTER TRANSMITTER (THC63LVDF83A,THC63LVDM83A,THC63LVDM83A-85)
TO LTD141EM4V INTERFACE ASSIGNMENT****Case1: 6Bit TRANSMITTER****ODD Data**

Input Terminal No.		Input Signal (Graphics controller output signal)		Output Signal Symbol	To LTD141EM4V Interface(CN1)	
Symbol	Terminal	Symbol	Function		Terminal	Symbol
T11N0/TA0	44	RO0	Red Pixels Display Data (LSB)	TA- TA+	No.8 No.9	RxOIN0- RxOIN0+
T11N1/TA1	45	RO1	Red Pixels Display Data			
T11N2/TA2	47	RO2	Red Pixels Display Data			
T11N3/TA3	48	RO3	Red Pixels Display Data			
T11N4/TA4	1	RO4	Red Pixels Display Data			
T11N5/TA5	3	RO5	Red Pixels Display Data (MSB)	TB- TB+	No.11 No.12	RxOIN1- RxOIN1+
T11N6/TA6	4	GO0	Green Pixels Display Data (LSB)			
T11N7/TB0	6	GO1	Green Pixels Display Data			
T11N8/TB1	7	GO2	Green Pixels Display Data			
T11N9/TB2	9	GO3	Green Pixels Display Data			
T11N10/TB3	10	GO4	Green Pixels Display Data	TC- TC+	No.14 No.15	RxOIN2- RxOIN2+
T11N11/TB4	12	GO5	Green Pixels Display Data (MSB)			
T11N12/TB5	13	BO0	Blue Pixels Display Data (LSB)			
T11N13/TB6	15	BO1	Blue Pixels Display Data			
T11N14/TC0	16	BO2	Blue Pixels Display Data			
T11N15/TC1	18	BO3	Blue Pixels Display Data	TCLK - TCLK +	No.17 No.18	CLK IN- CLK IN+
T11N16/TC2	19	BO4	Blue Pixels Display Data			
T11N17/TC3	20	BO5	Blue Pixels Display Data (MSB)			
T11N18/TC4	22	HSYNC	H-Sync			
T11N19/TC5	23	VSYNC	V-Sync			
T11N20/TC6	25	DE	Compound Synchronization Signal			
T1 CLK IN	26	NCLK	Data Sampling Clock			



**RECOMMENDED TRANSMITTER TRANSMITTER (THC63LVDF83A,THC63LVDM83A,THC63LVDM83A-85)
TO LTD141EM4V INTERFACE ASSIGNMENT****Case1: 6Bit TRANSMITTER****EVEN Data**

Input Terminal No.		Input Signal (Graphics controller output signal)		Output Signal Symbol	To LTD141EM4V Interface(CN1)	
Symbol	Terminal	Symbol	Function		Terminal	Symbol
T2IN0/TA0	44	RE0	Red Pixels Display Data (LSB)	TA- TA+	No.20 No.21	RxEIN0- RxEIN0+
T2IN1/TA1	45	RE1	Red Pixels Display Data			
T2IN2/TA2	47	RE2	Red Pixels Display Data			
T2IN3/TA3	48	RE3	Red Pixels Display Data			
T2IN4/TA4	1	RE4	Red Pixels Display Data			
T2IN5/TA5	3	RE5	Red Pixels Display Data (MSB)	TB- TB+	No.23 No.24	RxEIN1- RxEIN1+
T2IN6/TA6	4	GE0	Green Pixels Display Data (LSB)			
T2IN7/TB0	6	GE1	Green Pixels Display Data			
T2IN8/TB1	7	GE2	Green Pixels Display Data			
T2IN9/TB2	9	GE3	Green Pixels Display Data			
T2IN10/TB3	10	GE4	Green Pixels Display Data	TC- TC+	No.26 No.27	RxEIN2- RxEIN2+
T2IN11/TB4	12	GE5	Green Pixels Display Data (MSB)			
T2IN12/TB5	13	BE0	Blue Pixels Display Data (LSB)			
T2IN13/TB6	15	BE1	Blue Pixels Display Data			
T2IN14/TC0	16	BE2	Blue Pixels Display Data			
T2IN15/TC1	18	BE3	Blue Pixels Display Data	TC- TC+	No.26 No.27	RxEIN2- RxEIN2+
T2IN16/TC2	19	BE4	Blue Pixels Display Data			
T2IN17/TC3	20	BE5	Blue Pixels Display Data (MSB)			
T2IN18/TC4	22	NC	Non Connection			
T2IN19/TC5	23	NC	Non Connection	TC- TC+	No.26 No.27	RxEIN2- RxEIN2+
T2IN20/TC6	25	NC	Non Connection			
T2 CLK IN	26	NCLK	Data Sampling Clock	TCLK - TCLK +	No.29 No.30	CLK IN- CLK IN+

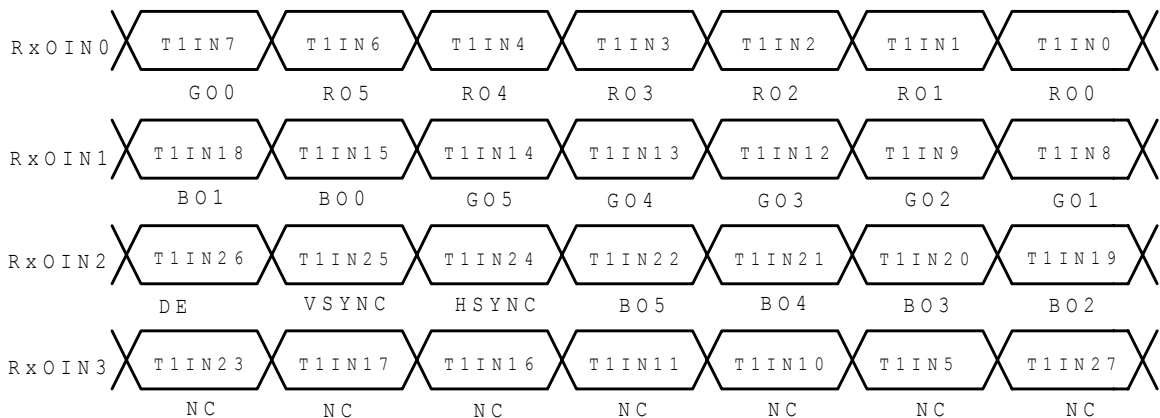


**RECOMMENDED TRANSMITTER (THC63LVDF83A,THC63LVDM83A,THC63LVDM83A-85)
TO LTD141EM4V INTERFACE ASSIGNMENT**

Case2: 8Bit TRANSMITTER

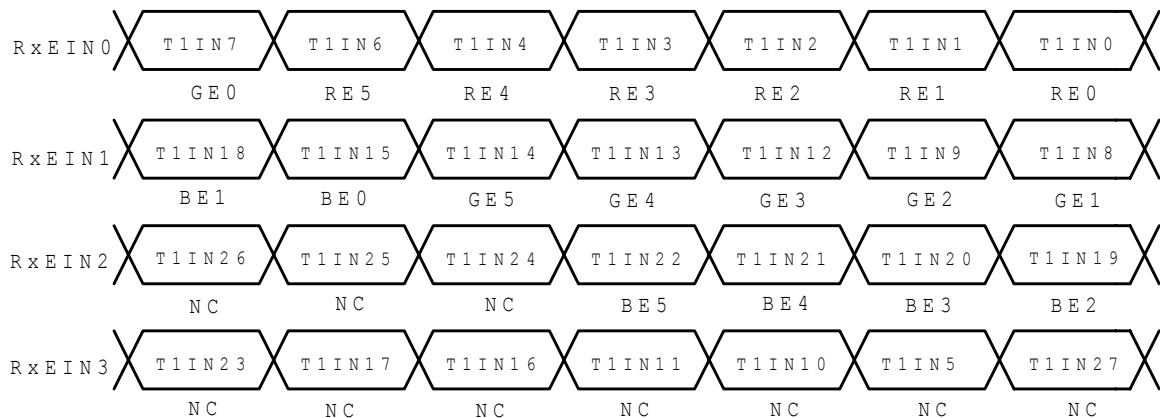
ODD Data

Input Terminal No.		Input Signal (Graphics controller output signal)		Output Signal Symbol	To LTD141EM4V Interface(CN1)	
Symbol	Terminal	Symbol	Function		Terminal	Symbol
T1IN0/TA0	51	R0	Red Pixels Display Data (LSB)	TA- TA+	No.8 No.9	RxOIN0- RxOIN0+
T1IN1/TA1	52	R1	Red Pixels Display Data			
T1IN2/TA2	54	R2	Red Pixels Display Data			
T1IN3/TA3	55	R3	Red Pixels Display Data			
T1IN4/TA4	56	R4	Red Pixels Display Data			
T1IN5/TA5	3	R5	Red Pixels Display Data (MSB)			
T1IN6/TA6	4	G0	Green Pixels Display Data(LSB)	TB- TB+	No.11 No.12	RxOIN1- RxOIN1+
T1IN7/TB0	6	G1	Green Pixels Display Data			
T1IN8/TB1	7	G2	Green Pixels Display Data			
T1IN9/TB2	11	G3	Green Pixels Display Data			
T1IN10/TB3	12	G4	Green Pixels Display Data			
T1IN11/TB4	14	G5	Green Pixels Display Data(MSB)			
T1IN12/TB5	15	B0	Blue Pixels Display Data (LSB)	TC- TC+	No.14 No.15	RxOIN2- RxOIN2+
T1IN13/TB6	19	B1	Blue Pixels Display Data			
T1IN14/TC0	20	B2	Blue Pixels Display Data			
T1IN15/TC1	22	B3	Blue Pixels Display Data			
T1IN16/TC2	23	B4	Blue Pixels Display Data			
T1IN17/TC3	24	B5	Blue Pixels Display Data (MSB)			
T1IN18/TC4	27	HSYNC	H-Sync	TD- TD+	-	-
T1IN19/TC5	28	VSYNC	V-Sync			
T1IN20/TC6	30	DE	Compound Synchronization Signal			
T1IN21/TD0	50	NC	Non Connection (open)			
T1IN22/TD1	2	NC	Non Connection (open)			
T1IN23/TD2	8	NC	Non Connection (open)			
T1IN24/TD3	10	NC	Non Connection (open)	TCLK- TCLK+	No.17 No.18	CLK- CLK+
T1IN25/TD4	16	NC	Non Connection (open)			
T1IN26/TD5	18	NC	Non Connection (open)			
T1IN27/TD6	25	NC	Non Connection (open)			
CLK IN	31	NCLK	Data Sampling Clock			



**RECOMMENDED TRANSMITTER (THC63LVDF83A,THC63LVDM83A,THC63LVDM83A-85)
TO LTD141EM4V INTERFACE ASSIGNMENT****Case2: 8Bit TRANSMITTER****EVEN Data**

Input Terminal No.		Input Signal (Graphics controller output signal)		Output Signal Symbol	To LTD141EM4V Interface(CN1)	
Symbol	Terminal	Symbol	Function		Terminal	Symbol
T2IN0/TA0	51	R0	Red Pixels Display Data (LSB)	TA- TA+	No.20 No.21	RxEIN0- RxEIN0+
T2IN1/TA1	52	R1	Red Pixels Display Data			
T2IN2/TA2	54	R2	Red Pixels Display Data			
T2IN3/TA3	55	R3	Red Pixels Display Data			
T2IN4/TA4	56	R4	Red Pixels Display Data			
T2IN5/TA5	3	R5	Red Pixels Display Data (MSB)	TB- TB+	No.23 No.24	RxEIN1- RxEIN1+
T2IN6/TA6	4	G0	Green Pixels Display Data(LSB)			
T2IN7/TB0	6	G1	Green Pixels Display Data			
T2IN8/TB1	7	G2	Green Pixels Display Data			
T2IN9/TB2	11	G3	Green Pixels Display Data			
T2IN10/TB3	12	G4	Green Pixels Display Data	TC- TC+	No.26 No.27	RxEIN2- RxEIN2+
T2IN11/TB4	14	G5	Green Pixels Display Data(MSB)			
T2IN12/TB5	15	B0	Blue Pixels Display Data (LSB)			
T2IN13/TB6	19	B1	Blue Pixels Display Data			
T2IN14/TC0	20	B2	Blue Pixels Display Data			
T2IN15/TC1	22	B3	Blue Pixels Display Data	TD- TD+	-	-
T2IN16/TC2	23	B4	Blue Pixels Display Data			
T2IN17/TC3	24	B5	Blue Pixels Display Data (MSB)			
T2IN18/TC4	27	NC				
T2IN19/TC5	28	NC				
T2IN20/TC6	30	NC		TCLK- TCLK+	No.29 No.30	CLK- CLK+
T2IN21/TD0	50	NC	Non Connection (open)			
T2IN22/TD1	2	NC	Non Connection (open)			
T2IN23/TD2	8	NC	Non Connection (open)			
T2IN24/TD3	10	NC	Non Connection (open)			
T2IN25/TD4	16	NC	Non Connection (open)			
T2IN26/TD5	18	NC	Non Connection (open)			
T2IN27/TD6	25	NC	Non Connection (open)			
CLK IN	31	NCLK	Data Sampling Clock			



2.4.6 Colors Combination Table

	Display	R5 R4 R3 R2 R1 R0	G5 G4 G3 G2 G1 G0	B5 B4 B3 B2 B1 B0	Gray ScaleLevel
Basic Color	Black	L L L L L L	L L L L L L	L L L L L L	-
	Blue	L L L L L L	L L L L L L	H H H H H H	-
	Green	L L L L L L	H H H H H H	L L L L L L	-
	Light Blue	L L L L L L	H H H H H H	H H H H H H	-
	Red	H H H H H H	L L L L L L	L L L L L L	-
	Purple	H H H H H H	L L L L L L	H H H H H H	-
	Yellow	H H H H H H	H H H H H H	L L L L L L	-
	White	H H H H H H	H H H H H H	H H H H H H	-
Gray Scale of Red	Black	L L L L L L	L L L L L L	L L L L L L	L 0
	Dark ↑ ↓ Light	L L L L L H	L L L L L L	L L L L L L	L 1
		L L L L H L	L L L L L L	L L L L L L	L 2
		⋮	⋮	⋮	L3... L60
		H H H H L H	L L L L L L	L L L L L L	L61
	H H H H H L	L L L L L L	L L L L L L	L62	
Red	H H H H H H	L L L L L L	L L L L L L	Red L63	
Gray Scale of Green	Black	L L L L L L	L L L L L L	L L L L L L	L 0
	Dark ↑ ↓ Light	L L L L L L	L L L L L H	L L L L L L	L 1
		L L L L L L	L L L L H L	L L L L L L	L 2
		⋮	⋮	⋮	L3... L60
		L L L L L L	H H H H L H	L L L L L L	L61
	L L L L L L	H H H H H L	L L L L L L	L62	
Green	L L L L L L	H H H H H H	L L L L L L	Green L63	
Gray Scale of Blue	Black	L L L L L L	L L L L L L	L L L L L L	L 0
	Dark ↑ ↓ Light	L L L L L L	L L L L L L	L L L L L H	L 1
		L L L L L L	L L L L L L	L L L L H L	L 2
		⋮	⋮	⋮	L3... L60
		L L L L L L	L L L L L L	H H H H L H	L61
	L L L L L L	L L L L L L	H H H H H L	L62	
Blue	L L L L L L	L L L L L L	H H H H H H	Blue L63	
Gray Scale of White & Black	Black	L L L L L L	L L L L L L	L L L L L L	L 0
	Dark ↑ ↓ Light	L L L L L H	L L L L L H	L L L L L H	L 1
		L L L L H L	L L L L H L	L L L L H L	L 2
		⋮	⋮	⋮	L3... L60
		H H H H L H	H H H H L H	H H H H L H	L61
	H H H H H L	H H H H H L	H H H H H L	L62	
White	H H H H H H	H H H H H H	H H H H H H	white L63	

Note1 L: Low level voltage, H: High level voltage

3. Recommended Operating Conditions ^{1) 2) 3) 10)}

Item	Symbol	Min.	Typ.	Max.	Unit	Remarks
Supply Voltage ⁴⁾	V_{DD}	3.0	3.3	3.6	V	
Differential Input Voltage	V_{ID}	100	-	600	mV	
Comon Mode Input Voltage	V_{CM}	0.5	1.2	1.5	V	
FL Input Current ^{6) 7) 8)}	I_{FL}	2.0	-	6.0	mA(rms)	
FL Driving Voltage ⁶⁾	V_{FL}	575	625	675	V(rms)	$I_{FL}=6.0\text{mA(rms)}$ (Reference)
FL Driving Frequency ⁶⁾	f_{FL}	40	50	60	kHz	
FL Starting Voltage ^{6) 9)}	V_{SFL}		¹⁰⁾		V(rms)	0°C

Note 1) The module should be always operated within these ranges. The "Typ." shows the recommendable value.

2) Recommended LVDS transmitter: THC63LVDF63A, THC63LVDM63A, THC63LVDM63A-85, THC63LVDF83A, THC63LVDM83A, THC63LVDM83A-85 (made by THine Electronics, Inc.)
 Panel Controller contains LVDS, which is based on THC63LVDF84A-85 (made by THine Electronics, Inc.) specification.

3) Checked Pin Terminal: V_{DD} , GND (0V)

4) Checked Pin Terminal: IN0~CLK+, GND (0V)

Measure: $|V_{IN0+}-V_{IN0-}|$, $|V_{IN1+}-V_{IN1-}|$,
 $|V_{IN2+}-V_{IN2-}|$, $|V_{CLKN+}-V_{CLK-}|$
 Measure: $(V_{IN0+}-V_{IN0-})/2$, $(V_{IN1+}-V_{IN1-})/2$,
 $(V_{IN2+}-V_{IN2-})/2$, $(V_{CLK++}-V_{CLK-})/2$,

5) Checked Pin Terminal: V_{FLH} - F_{FL}

6) If FL input current (I_{FL}) is higher than typical value(6.0mA(rms)), then FL lifetime becomes shorter.

7) Measuring Method of I_{FL} .

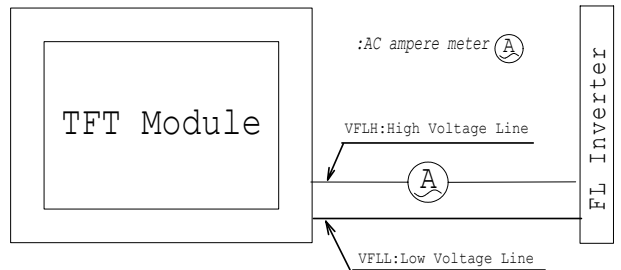
8) Input FL starting voltage (V_{SFL}) should not be less than two second.

If it were less than two second, it may cause unstable operation of FL.

9) Please adjust LCD operating signal timing and FL driving frequency, to optimize the display quality.

There is a possibility that flicker is observed by the interference of LCD operating signal timing and FL driving condition (especially driving frequency), even if the condition satisfies above recommended operating conditions and timing specifications shown in 2.4.4.

10) Inverter open voltage should not be less than 1500V(rms).



	Symbol	Min.	Typ.	Max.	Unit	Oters
FL starting Voltage	V_{SFL}	-	-	1500	V(rms)	0°C

4. Electrical Characteristics

4.1 Test Conditions

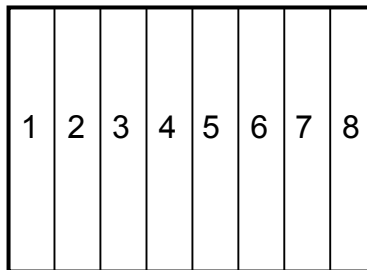
- Ambient Temperature : T_a 25±5°C
- Ambient Humidity : H_a 65±20%(RH)
- Supply Voltage : V_{DD} 3.3V
- Input Signal : Refer typical value in "2.4.4 Timing Specifications".
- FL Input Current : I_{FL} 6.0mA(rms)
- FL Driving Frequency : f_{FL} 50kHz

4.2 Specifications

Item	Symbol	Min.	Typ. ¹⁾	Max.	Unit	Remark
Current Consumption	I_{DD}	-	350	500	mA	V_{DD} Terminal Current

Note 1) The Typical value of I_{DD} is measured in the following pattern.

- 1. White
- 2. Yellow
- 3. Purple
- 4. Red
- 5. Light Blue
- 6. Green
- 7. Blue
- 6. Black



5. Optical Characteristics

5.1 Test Conditions

It is same as 4.1

The measuring method is shown in 11.

5.2 Optical Specifications ¹⁾

Item	Symbol	Conditions	Specifications			Unit	Remark	
			Min.	Typ	Max.			
Viewing Angle	θ	$CR \geq 10$	$\phi = 180^\circ$	10	-	-	°	
			$\phi = 0^\circ$	20	-	-	°	
			$\phi = 90^\circ$	30	-	-	°	
			$\phi = -90^\circ$	30	-	-	°	
Contrast Ratio	CR	$\theta = 0^\circ, \phi = 0^\circ$	100	-	-	-		
Response Time	$t_{ON} + t_{OFF}$	$\theta = 0^\circ, \phi = 0^\circ$	-	-	50	ms		
Luminance	L	$\theta = 0^\circ, \phi = 0^\circ$ Gray Scale Level=L63 (White)	150	180	-	cd/m ²	$I_{FL} = 6.0\text{mA(rms)}$ 5point	
Luminance Uniformity ²⁾	LUNF	$\theta = 0^\circ, \phi = 0^\circ$ Gray Scale Level=L63 (White)	55	-	-	%	Lmin/Lmax	
Chromaticity	Red	x_R	Gray Scale Level:L63 $\theta = 0^\circ, \phi = 0^\circ$	0.562	0.602	0.642	-	
		y_R		0.296	0.336	0.376	-	
	Green	x_G	Ditto	0.256	0.296	0.336	-	
		y_G		0.506	0.546	0.596	-	
	Blue	x_B	Ditto	0.108	0.148	0.178	-	
		y_B		0.086	0.126	0.156	-	
	White	x_W	Ditto	0.272	0.302	0.332	-	
		y_W		0.294	0.324	0.354	-	

Note 1): Refer to "11. Measuring Method".

Note 2): The above test limit must be applied for initial use. Characteristics will be shifted by long period operation, but it is not irregular phenomena. Theoretically brightness characteristics will be decreased due to CCFL degradation and color shift due to optical components change.

6. Quality

6.1 Inspection AQL

Total of Major Defects	: AQL 0.65 %
Total of Minor Defects	: AQL 1.5 %
Sampling Method	: ANSI / ASQC Z1.4 (Level II)

6.2 Test Conditions

1) Ambient Temperature	: 25±5°C
2) Ambient Humidity	: 65±20%(RH)
3) Illumination	: Approximately 500 lx under the fluorescent lamp
4) Viewing Distance	: Approximately 30cm by the eyes of the inspector from the module
5) Inspection Angle	: $\theta=0^\circ$, $\phi=0^\circ$

6.3 Dimensional Outline

The products shall conform to the dimensions specified in 2.3.2.

Definition of Major and Minor defects are as follows.

Item	Description	Class
Important Dimensions	Dimensional outline, Dimensional between the mounting holes(hinge)	Major
Others	Dimensions specified in this specifications	Minor

6.4 Appearance Test

6.4.1 Test Conditions

1) Condition : Non-operating, operating (Pattern : L63 white raster)

Same as 6.2

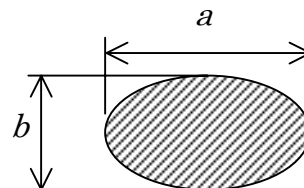
6.4.2 Specifications

Item	Description	Class									
PCB Appearance	Pattern peeling snapping, electrically short	Major									
	Repair portion on PCB is not covered by epoxy resin	Minor									
Soldering	Cold solder joint, lead move when pulled	Major									
Bezel, Frame, Connectors	Distinct stain, rust or scratch	Minor									
Bright Lines ¹⁾ (Light Lint)	<table border="1"> <thead> <tr> <th>Line width(mm)</th> <th>Length(mm)</th> <th>Acceptable count</th> </tr> </thead> <tbody> <tr> <td>$0.03 < W \leq 0.152$</td> <td>$L \leq 2.03$</td> <td>$n \leq 4$</td> </tr> <tr> <td>$0.152 < W$</td> <td>$2.03 < L$</td> <td>0</td> </tr> </tbody> </table>	Line width(mm)	Length(mm)	Acceptable count	$0.03 < W \leq 0.152$	$L \leq 2.03$	$n \leq 4$	$0.152 < W$	$2.03 < L$	0	Minor
	Line width(mm)	Length(mm)	Acceptable count								
	$0.03 < W \leq 0.152$	$L \leq 2.03$	$n \leq 4$								
$0.152 < W$	$2.03 < L$	0									
Dark Lines ¹⁾ (Dark Lint/Hair)	<table border="1"> <thead> <tr> <th>Line width(mm)</th> <th>Length(mm)</th> <th>Acceptable count</th> </tr> </thead> <tbody> <tr> <td>$0.03 < W \leq 0.1$</td> <td>$0.3 < L \leq 1.0$</td> <td>$n \leq 4$</td> </tr> <tr> <td>$0.1 < W$</td> <td>$1.0 < L$</td> <td>0</td> </tr> </tbody> </table>	Line width(mm)	Length(mm)	Acceptable count	$0.03 < W \leq 0.1$	$0.3 < L \leq 1.0$	$n \leq 4$	$0.1 < W$	$1.0 < L$	0	
	Line width(mm)	Length(mm)	Acceptable count								
	$0.03 < W \leq 0.1$	$0.3 < L \leq 1.0$	$n \leq 4$								
$0.1 < W$	$1.0 < L$	0									
Black and White Spots ¹⁾²⁾	<table border="1"> <thead> <tr> <th>Average diameter(mm)</th> <th>Acceptable count/side</th> </tr> </thead> <tbody> <tr> <td>$0.25 < D \leq 0.4$</td> <td>$n \leq 3$</td> </tr> <tr> <td>$0.4 < D$</td> <td>0</td> </tr> </tbody> </table>	Average diameter(mm)	Acceptable count/side	$0.25 < D \leq 0.4$	$n \leq 3$	$0.4 < D$	0				
	Average diameter(mm)	Acceptable count/side									
	$0.25 < D \leq 0.4$	$n \leq 3$									
$0.4 < D$	0										
Polarizer Scratch ¹⁾	<table border="1"> <thead> <tr> <th>Line width(mm)</th> <th>Length(mm)</th> <th>Acceptable count</th> </tr> </thead> <tbody> <tr> <td>$0.01 < W \leq 0.05$</td> <td>$1.0 < L \leq 10.0$</td> <td>$n \leq 3$</td> </tr> <tr> <td>$0.05 < W$</td> <td>$10.0 < L$</td> <td>0</td> </tr> </tbody> </table>	Line width(mm)	Length(mm)	Acceptable count	$0.01 < W \leq 0.05$	$1.0 < L \leq 10.0$	$n \leq 3$	$0.05 < W$	$10.0 < L$	0	
	Line width(mm)	Length(mm)	Acceptable count								
	$0.01 < W \leq 0.05$	$1.0 < L \leq 10.0$	$n \leq 3$								
$0.05 < W$	$10.0 < L$	0									
Polarizer Dents ¹⁾²⁾	<table border="1"> <thead> <tr> <th>Average diameter(mm)</th> <th>Acceptable count</th> </tr> </thead> <tbody> <tr> <td>$0.127 < D \leq 0.38$</td> <td>$n \leq 3$</td> </tr> <tr> <td>$0.38 < D$</td> <td>0</td> </tr> </tbody> </table>	Average diameter(mm)	Acceptable count	$0.127 < D \leq 0.38$	$n \leq 3$	$0.38 < D$	0				
	Average diameter(mm)	Acceptable count									
	$0.127 < D \leq 0.38$	$n \leq 3$									
$0.38 < D$	0										
Polarizer Bubble ¹⁾²⁾	<table border="1"> <thead> <tr> <th>Average diameter(mm)</th> <th>Acceptable count</th> </tr> </thead> <tbody> <tr> <td>$0.254 < D \leq 0.38$</td> <td>$n \leq 3$</td> </tr> <tr> <td>$0.38 < D$</td> <td>0</td> </tr> </tbody> </table>	Average diameter(mm)	Acceptable count	$0.254 < D \leq 0.38$	$n \leq 3$	$0.38 < D$	0				
	Average diameter(mm)	Acceptable count									
	$0.254 < D \leq 0.38$	$n \leq 3$									
$0.38 < D$	0										

Note 1) Inspection area should be within active area

Note 2) Black/White Spot, Polarizer Dents and Polarizer Bubble shall be judged by "Average Diameter".

$$\text{Average Diameter } D = (a+b) / 2 \quad (\text{mm})$$



6.5 Display Quality

6.5.1 Test Conditions

- 1) Inspection Area : Within active area
- 2) Driving Condition : Same as test conditions shown in 4.1 and 6.2
- 3) Test Pattern : White display pattern (gray scale level L63) and black display pattern (gray scale level L0)

6.5.2 Specifications ⁴⁾

Item	Description / Specifications	Class																		
Function	No display, Malfunction	Major																		
Display Quality ¹⁾	Missing line	Major																		
	Missing Sub-Pixels	Major																		
	<table border="1" style="width: 100%;"> <tr> <td>1) Red and Blue Bright (High and Low) defects²⁾³⁾⁴⁾⁵⁾⁶⁾</td> <td>3pcs. max.</td> </tr> <tr> <td>2) Green bright (High and Low) defects²⁾³⁾⁴⁾⁵⁾⁶⁾</td> <td>1pcs. max.</td> </tr> <tr> <td>3) Dark defects²⁾⁴⁾</td> <td>5pcs. max.</td> </tr> <tr> <td>4) Green high bright defect to green high bright defect distance</td> <td>75mm min.</td> </tr> <tr> <td>5) High bright defect to high bright defect distance</td> <td>50mm min.</td> </tr> <tr> <td>6) High bright defect to low bright defect and low bright defect to low bright defect distance</td> <td>25mm min.</td> </tr> <tr> <td>7) Dark defect to dark defect distance</td> <td>25mm min.</td> </tr> <tr> <td>8) Low bright defect conjunction (2 sub-pixels)</td> <td>0 sets max.</td> </tr> <tr> <td>9) Dark defect conjunction (2 sub-pixels)</td> <td>2sets max.</td> </tr> </table>	1) Red and Blue Bright (High and Low) defects ²⁾³⁾⁴⁾⁵⁾⁶⁾	3pcs. max.	2) Green bright (High and Low) defects ²⁾³⁾⁴⁾⁵⁾⁶⁾	1pcs. max.	3) Dark defects ²⁾⁴⁾	5pcs. max.	4) Green high bright defect to green high bright defect distance	75mm min.	5) High bright defect to high bright defect distance	50mm min.	6) High bright defect to low bright defect and low bright defect to low bright defect distance	25mm min.	7) Dark defect to dark defect distance	25mm min.	8) Low bright defect conjunction (2 sub-pixels)	0 sets max.	9) Dark defect conjunction (2 sub-pixels)	2sets max.	
	1) Red and Blue Bright (High and Low) defects ²⁾³⁾⁴⁾⁵⁾⁶⁾	3pcs. max.																		
	2) Green bright (High and Low) defects ²⁾³⁾⁴⁾⁵⁾⁶⁾	1pcs. max.																		
	3) Dark defects ²⁾⁴⁾	5pcs. max.																		
	4) Green high bright defect to green high bright defect distance	75mm min.																		
	5) High bright defect to high bright defect distance	50mm min.																		
	6) High bright defect to low bright defect and low bright defect to low bright defect distance	25mm min.																		
	7) Dark defect to dark defect distance	25mm min.																		
8) Low bright defect conjunction (2 sub-pixels)	0 sets max.																			
9) Dark defect conjunction (2 sub-pixels)	2sets max.																			
Inconspicuous flicker, crosstalk, Newton's ring, Mottling Rubbing defect, Dim Lines, Horizontal Line and Vertical Line. : neglect	Major																			
Minimum distance between ANY allowable defect ⁵⁾ : 25.4mm min.	Major																			
Maximum number of ALL allowable defects : 9pcs. max.	Major																			

Note 1) Defects of both color filter and black matrix are counted as bright or dark defects.

Inspection area should be within the active area.

Note 2) Bright defect means a bright spot(sub-pixel) on the display pattern of gray scale L0.

Dark defect means a dark spot(sub-pixel) on the display pattern of gray scale L63.

Note 3) Bright defect visible through the 2% ND-Filter are to be considered high level defects.

Those visible through the 5% ND-Filter are to be considered low level defects..

Note 4) Testing is conducted only on RED, GREEN, BLUE, WHITE of gray scale L63, RED, GREEN, BLUE of gray scale L31, and BLACK of gray scale L0.

RED L63	GREEN L63	BLUE L63	WHITE L63	RED L31	GREEN L31	BLUE L31	BLACK L0
------------	--------------	-------------	--------------	------------	--------------	-------------	-------------

Note 5) Toshiba Matsushita Display counts minimum distance between ANY allowable defects on **white L63 screen only**.

6.6 Reliability Test

6.6.1 Test Conditions

- 1) The module should be driven and inspected under normal test conditions.
- 2) The module should not have condensation of water (moisture) on the module.
- 3) The module should be inspected after two or more hours storage in normal conditions (15 - 35°C, 45 - 65%(RH)).
- 4) A module shall be used only for one test.

6.6.2 Specifications

The module shall have no failure in the following reliability test items.

Test Item	Test Conditions	Result
High Temperature Operation ¹⁾	50°C 192 h	OK 3p/3p
High Temperature Storage ²⁾	60°C 192 h	OK 3p/3p
High Temperature and High Humidity operation ¹⁾	50°C 80% 192 h	OK 3p/3p
Low Temperature Operation ¹⁾	0°C 192 h	OK 3p/3p
Low Temperature Storage ²⁾	-20°C 192 h	OK 3p/3p
Temperature Shock ²⁾	-20°C ⇔ 60°C 0.5h 0.5h 50 cycles	OK 3p/3p
Mechanical Vibration ²⁾	10 – 200 - 10Hz sweep/cycle, 1.5×9.8m/s ² constant, X.Y.Z each direction, 0.5h each	OK 3p/3p
Mechanical Shock ²⁾	50×9.8m/s ² , 20ms, ±X, ±Y, ±Z each direction, one time each	OK 3p/3p

Note 1) Operating

Note 2) Non-Operating

Definitions of failure for judgment shall be as follows:

- 1) Function of the module should be maintained.
- 2) Current consumption should be smaller than the specified value.
- 3) Appearance and display quality should not have distinguished degradation.
- 4) Luminance should be larger than 50% of the minimum value specified in 5.2.

6.7 Labels

(1) Product Label

Serial number : △△ ▲ 4A 000001

① ② ③ ④

① : Module type code

② : Manufacturing code

③ : Lot code 4 A

(1) (2)

(1):Year code-end of the A.D.

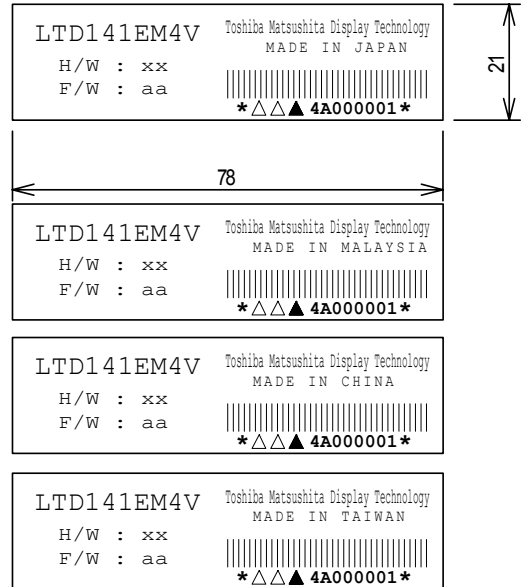
(2):Month code-alphabet → Jan. : A - Dec. : L

Bar code : CODE-39 High-density

(Example : 4A → 2004 JAN.)

④ : Serial code

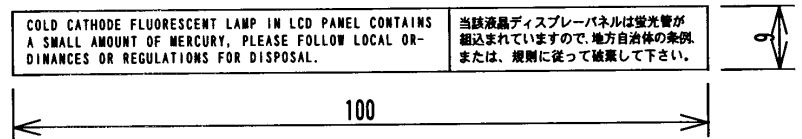
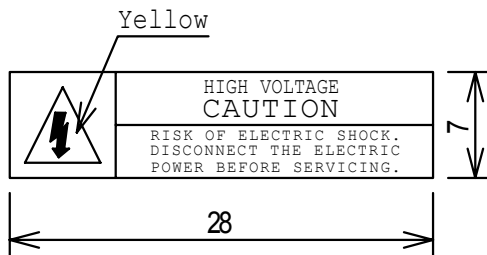
decimal, 6 figures



(2) Caution Labels

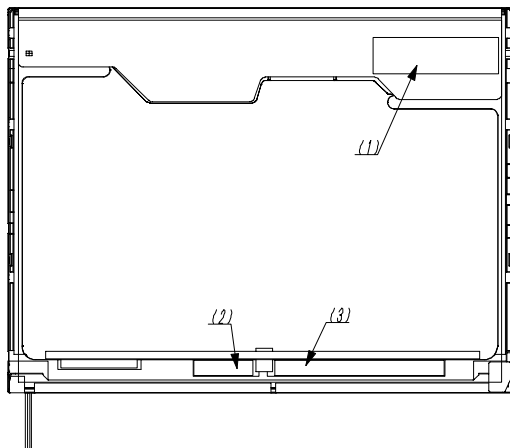
• High Voltage

• Disposal of CCFL



Unit: mm

3) Label Locations



①:Product Label

②:Caution Label

③:Disposal of CCFL

7. Lifetime

7.1 Module (except lamp)

MTTF (Mean Time To Failure) : 50,000 h

(This value is not assurance time but inference value by following conditions.)

Conditions : Ambient temperature : $25\pm 5^{\circ}\text{C}$ (No wind)

Ambient humidity : 65%(RH)

7.2 Lamp

7.2.1 Test Conditions

Ambient temperature : $25\pm 5^{\circ}\text{C}$ (No wind)

Lamp current : 6.0mA(rms)

Lighting condition : continuous lighting

Driving frequency : 50kHz

7.2.2 Specifications

MTBF : 10,000 h

Definitions of failure for judgment shall be as follows.

- 1) LCD luminance becomes half of the minimum value specified in 5.2.
- 2) Lamp doesn't light normally.

(Note1) In case of LCD long period operation, discoloration of light guide or optical sheet will be happened due to ultra violet and heat from CCFL. As the result, there is possibility to have out of specification for the optical characteristics as "4.3.2". But this is not irregular phenomena. Moreover, CCFL also has the characteristic of color shift by long period operation.

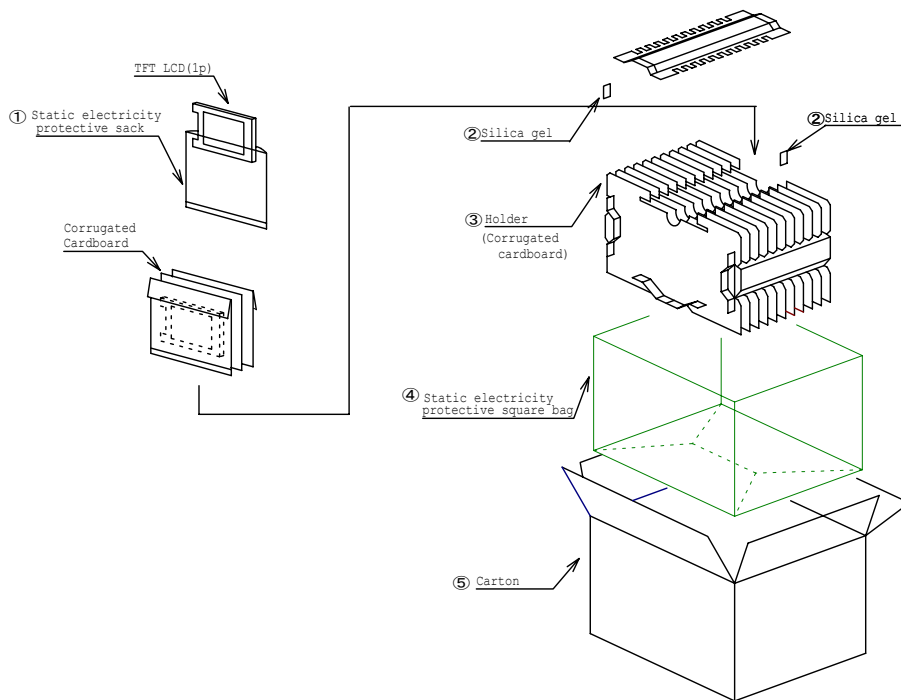
8. Packaging

8.1 Carton (internal package)

(1) Packaging Form

Corrugated cardboard box and polyethylene foam as shock absorber

(2) Packaging Method ¹⁾²⁾

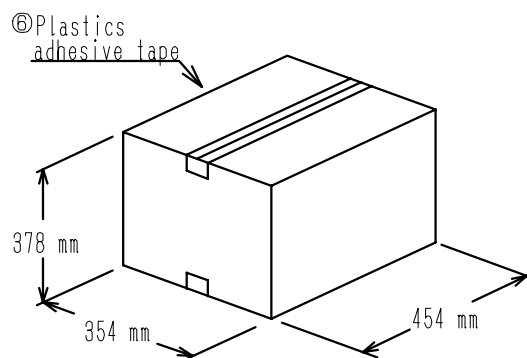


Note 1): Total weight : (Approx.) 11.6 kg

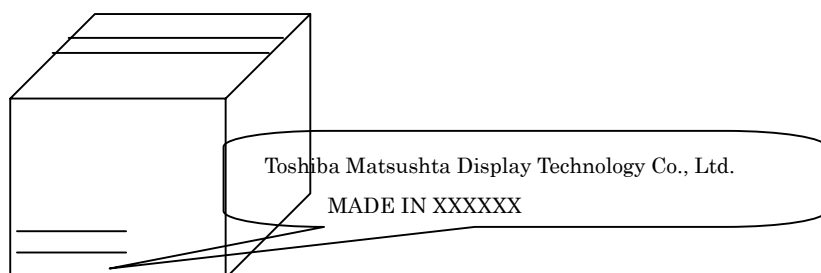
Note 2): Acceptable number of palette piling: 2 sets

(3) Packaging Material

Number	Quantity	Description
①	20p	Static electricity Protective sack
②	3p	Silicagel(100g×3p)
③	1set	Holder
④	1p	Static electric Protective square bag
⑤	1p	Corrugated card box
⑥	-	Plastics adhesive tape



(4) Carton Marking



9. Warranty

Warranty clause will be decided separately.

10. Regulation

The set (which our LCD module is assembled into) to conform the regulations below, take measures in set side. Toshiba Matsushita Display Technology is not liable for the regulations to the complete set, nor can guarantee our LCD module conform the regulation by itself.

a) Examples of EMI Regulations

FCC : PART15 CLASS B

VCCI : CLASS B

CISPR : CLASS B

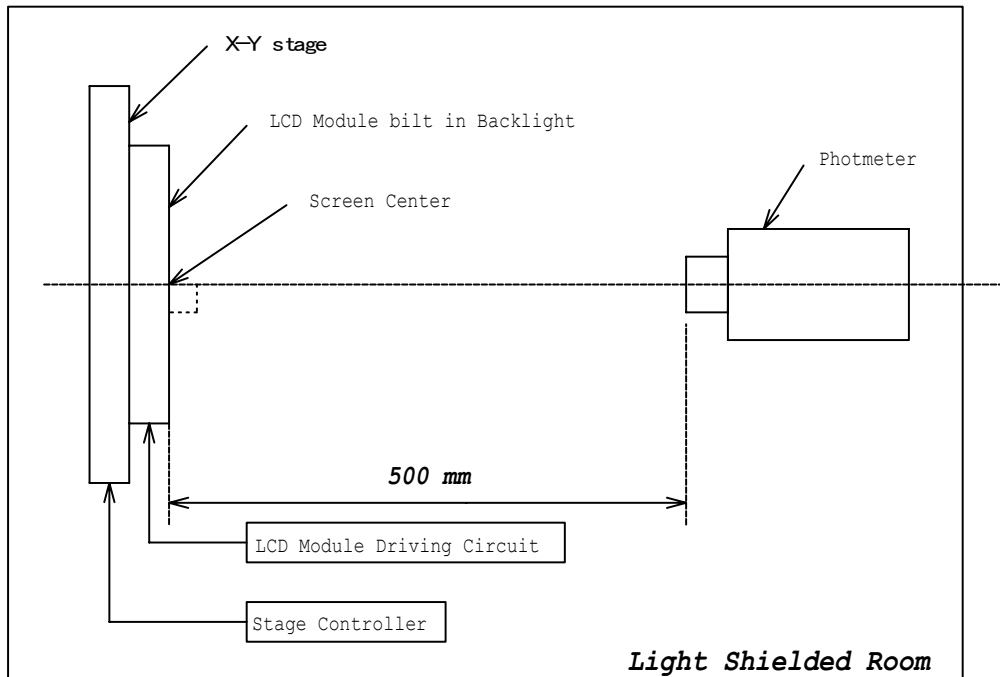
b) Examples of Safety Regulations

IEC 60950

UL 60950

11. Measuring Method

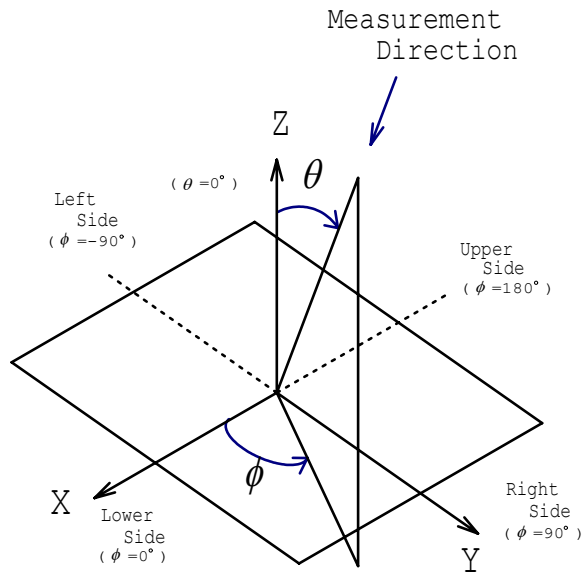
11.1 Measuring System



(1) The measurement point is the center of the active area except for the measurement of Luminance Uniformity.

(2) Photometer : BM-5A / BM-7 TOPCON (Aperture 2°)

(3) Definition of ϕ and θ :



11.2 Measuring Methods

(1) Luminance:

The luminance of the center on a white raster (gray scale level L63) shall be measured.
Measurement shall be executed 30 minutes after the lamp is lit up.

(2) Contrast Ratio:

The contrast ratio can be calculated by the following expression.

$$\text{Contrast Ratio (CR)} = L63 / L0$$

L63 : Luminance on the white raster (gray scale level L63)

L 0 : Luminance on the black raster (gray scale level L0)

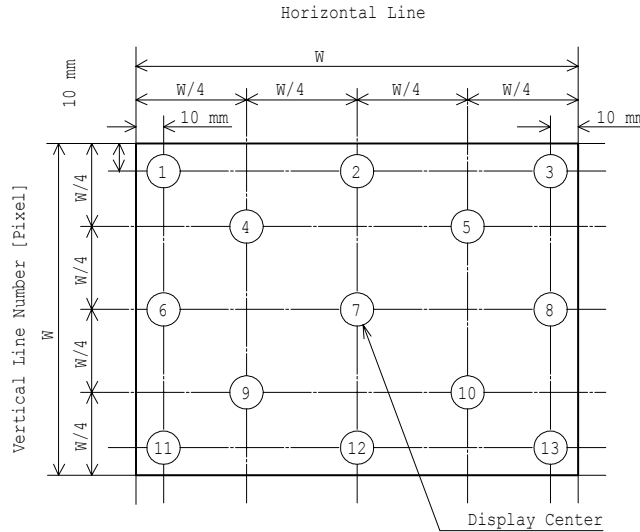
(3) Viewing Angle

Viewing angle is defined as the angles(θ , ϕ), in which specified contrast ratio can be obtained.
(Refer to 11.1(3) for the axes.)

(4) Luminance Uniformity:

The Luminance should be measured at 13 positions on white raster(gray scale level L63).
 Uniformity can be calculated by the following expression.

$$\text{Luminance Uniformity} = \frac{\text{Minimum Luminance}}{\text{Maximum Luminance}} \times 100\%$$

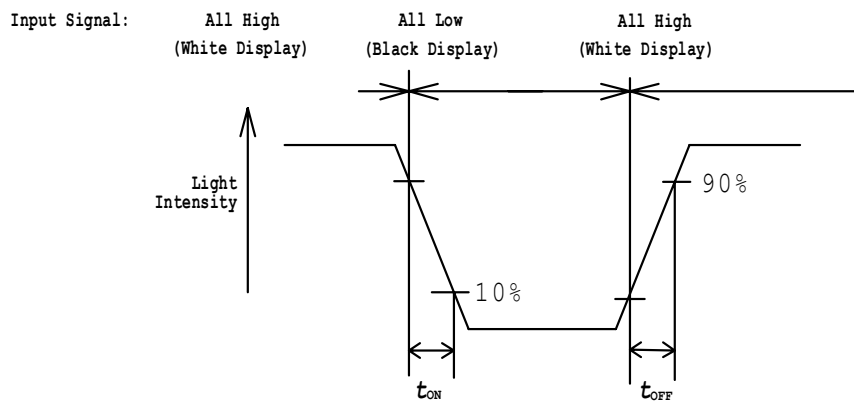


(5) Chromaticity :

The values(x,y) of chromaticity coordinates should be measured for the White, Red, Green and Blue Raster(gray scale level L63) each with a photometer.

(6) Response Time :

The response time (t_{ON} , t_{OFF}) is measured with a photo detector (photodiode) which measures the light intensity of the pixels.



t_{ON} : Turn on time is the time for a photo detector output waveform to go from maximum value to 10% of its maximum.

t_{OFF} : Turn off time is the time for a photo detector output waveform to go from zero to 90% of its maximum.

Photodiode : S1223-01 HAMAMATSU PHOTONICS K.K.

White Display : White Raster (gray scale level L63)

Black Display : Black Raster (gray scale level L0)

12. EDID

This is the EDID data format to support displays as defined in the VESA Plug & Display.

Header

Byte (dec)	Byte (hex)	Field Name and Comments	Value (hex)	Value (binary)
0	00	Header	00	00000000
1	01	Header	FF	11111111
2	02	Header	FF	11111111
3	03	Header	FF	11111111
4	04	Header	FF	11111111
5	05	Header	FF	11111111
6	06	Header	FF	11111111
7	07	Header	00	00000000

Vendor / Product ID / EDID Version

Byte (dec)	Byte (hex)	Field Name and Comments	Value (hex)	Value (binary)
8	08	EISA manufacture code = 3 Character ID	30	00110000
9	09	EISA manufacture code (Compressed ASCII)	64	01100100
10	0A	Panel Supplier Reserved – Product Code	40	01000000
11	0B	Panel Supplier Reserved – Product Code	55	01010101
12	0C	LCD module Serial No - Preferred but Optional (“0” if not used)	01	00000001
13	0D	LCD module Serial No - Preferred but Optional (“0” if not used)	01	00000001
14	0E	LCD module Serial No - Preferred but Optional (“0” if not used)	01	00000001
15	0F	LCD module Serial No - Preferred but Optional (“0” if not used)	01	00000001
16	10	Week of manufacture		Value
17	11	Year of manufacture		Value
18	12	EDID structure version # =	01	00000001
19	13	EDID revision # =	02	00000010

Display Parameters

Byte (dec)	Byte (hex)	Field Name and Comments	Value (hex)	Value (binary)
20	14	Video I/P definition = Digital I/P (80h)	80	10000000
21	15	Max H image size = (Rounded to cm)	1D	00011101
22	16	Max V image size = (Rounded to cm)	15	00010101
23	17	Display gamma = (gamma ×100)-100 = Example: (2.2 × 100) – 100 = 120	FF	11111111
24	18	Feature support (no DPMS, Active off, RGB, timing BLK 1)	0A	00001010

Panel Color Coordinates

Byte (dec)	Byte (hex)	Field Name and Comments	Value (hex)	Value (binary)
25	19	Red/Green Low bit (RxRy/GxGy)	D1	11010001
26	1A	Blue/White Low bit (BxBY/WxWy)	EC	11101100
27	1B	Red X	9D	10011101
28	1C	Red Y	55	01010101
29	1D	Green X	4C	01001100
30	1E	Green Y	8C	10001100
31	1F	Blue X	25	00100101
32	20	Blue Y	20	00100000
33	21	White X	4E	01001110
34	22	White Y	52	01010010

Established Timings

Byte (dec)	Byte (hex)	Field Name and Comments	Value (hex)	Value (binary)
35	23	Established timings 1 (00h if not used)	00	00000000
36	24	Established timings 2 (00h if not used)	00	00000000
37	25	Manufacturer's timings (00h if not used)	00	00000000

Standard Timing ID

Byte (dec)	Byte (hex)	Field Name and Comments	Value (hex)	Value (binary)
38	26	Standard timing ID1 (01h if not used)	90	
39	27	Standard timing ID1 (01h if not used)	40	01000000
40	28	Standard timing ID2 (01h if not used)	01	00000001
41	29	Standard timing ID2 (01h if not used)	01	00000001
42	2A	Standard timing ID3 (01h if not used)	01	00000001
43	2B	Standard timing ID3 (01h if not used)	01	00000001
44	2C	Standard timing ID4 (01h if not used)	01	00000001
45	2D	Standard timing ID4 (01h if not used)	01	00000001
46	2E	Standard timing ID5 (01h if not used)	01	00000001
47	2F	Standard timing ID5 (01h if not used)	01	00000001
48	30	Standard timing ID6 (01h if not used)	01	00000001
49	31	Standard timing ID6 (01h if not used)	01	00000001
50	32	Standard timing ID7 (01h if not used)	01	00000001
51	33	Standard timing ID7 (01h if not used)	01	00000001
52	34	Standard timing ID8 (01h if not used)	01	00000001
53	35	Standard timing ID8 (01h if not used)	01	00000001

Timing Descriptor #1

Byte (dec)	Byte (hex)	Field Name and Comments	Value (hex)	Value (binary)
54	36	Pixel Clock/10,000 (LSB)	30	00110000
55	37	Pixel Clock/10,000 (MSB)	2A	00101010
56	38	Horizontal Active = xxxx pixels (lower 8 bits) Note	78	01111000
57	39	Horizontal Blanking (Thbp) = xxxx pixels (lower 8 bits)	20	00100000
58	3A	Horizontal Active/Horizontal blanking (Thbp) (upper4:4 bits)	51	01010001
59	3B	Vertical Active = xxxx lines	1A	00011010
60	3C	Vertical Blanking (Tvbp) = xxxx lines (DE Blanking min for DE only panels)	10	00010000
61	3D	Vertical Active : Vertical Blanking (Tvbp) (upper4:4 bits)	40	01000000
62	3E	Horizontal Sync, Offset (Thfp) = xxxx pixels	08	00001000
63	3F	Horizontal Sync, Pulse Width = xxxx pixels	08	00001000
64	40	Vertical Sync, Offset (Tvfp) = xx lines Sync Width = xx lines	11	00001011
65	41	Horizontal Vertical Sync Offset/Width upper 2 bits	00	00000000
66	42	Horizontal Image Size =xxx mm	1F	00011111
67	43	Vertical image Size = xxx mm	D7	11010111
68	44	Horizontal Image Size / Vertical image size	10	00010000
69	45	Horizontal Border = 0 (Zero for Notebook LCD)	00	00000000
70	46	Vertical Border = 0 (Zero for Notebook LCD)	00	00000000
71	47	EDID Standard	18	00011000

Timing Descriptor #2 Manufacturer's Specified Range Timing Descriptor

Byte (dec)	Byte (hex)	Field Name and Comments	Value (hex)	Value (binary)
72	48	Header : 00 00 00 0F 00	00	00000000
73	49		00	00000000
74	4A		00	00000000
75	4B		0F	00001111
76	4C		00	00000000
77	4D	Value = $HSPW_{min} / 2$ (pixel clks)	04	00000100
78	4E	Value = $HSPW_{max} / 2$ (pixel clks)	20	00100000
79	4F	Value = $Thbp_{min} / 2$ (pixel clks)	08	00001000
80	50	Value = $Thbp_{max} / 2$ (pixel clks)	98	10011000
81	51	Value = $VSPW_{min} / 2$ (line pulses)	00	00000000
82	52	Value = $VSPW_{max} / 2$ (line pulses)	08	00001000
83	53	Value = $Tvbp_{min} / 2$ (line pulses)	02	00000010
84	54	Value = $Tvbp_{max} / 2$ (line pulses)	18	00011000
85	55	$Thp_{min} = value * 2 + HA_{pixel\ clks}$ (pixel clks) Note	17	00010111
86	56	$Thp_{max} = value * 2 + HA_{pixel\ clks}$ (pixel clks) Note	FF	11111111
87	57	$Tvp_{min} = value * 2 + VA_{lines}$ (line pulses)	03	00000011
88	58	$Tvp_{max} = value * 2 + VA_{lines}$ (line pulses)	E1	11100001
89	59	Module "A" Revision = Example: 00, 01, 02, 03, etc.	00	00000000

Timing Descriptor #3

Byte (dec)	Byte (hex)	Field Name and Comments	Value (hex)	Value (binary)
90	5A	Model No. Header : 00 00 00 FE 00	00	00000000
91	5B		00	00000000
92	5C		00	00000000
93	5D		Terminator : 0A Blank : 20	FE
94	5E	T M D I S P L A Y Terminator : 0A Blank : 20	00	00000000
95	5F		54	01010100
96	60		4D	01001101
97	61		44	01000100
98	62		49	01001001
99	63		53	01010011
100	64		50	01010000
101	65		4C	01001100
102	66	41	01000001	
103	67	59	01011001	
104	68	0A	00001010	
105	69	20	00100000	
106	6A	20	00100000	
107	6B	20	00100000	

Timing Descriptor #4

Byte (dec)	Byte (hex)	Field Name and Comments	Value (hex)	Value (binary)
108	6C	Module Serial Header : 00 00 00 FE 00 Terminator : 0A Blank : 20	00	00000000
109	6D		00	00000000
110	6E		00	00000000
111	6F		FE	11111110
112	70		00	00000000
113	71	L Product Name: T D 1 4 1 E M 4 V	4C	01001100
114	72		54	01010100
115	73		44	01000100
116	74		31	00110001
117	75		34	00110100
118	76		31	00110001
119	77		45	01000101
120	78		4D	01001101
121	79		34	00110100
122	7A		56	01010110
123	7B	Terminator : 0A Blank : 20	0A	00001010
124	7C		20	00100000
125	7D		20	00100000

Byte (dec)	Byte (hex)	Field Name and Comments	Value (hex)	Value (binary)
126	7E	Extension flag (# of optional 128 EDID extension blocks to follow, Typ = 0)	00	00000000
127	7F	Checksum (The 1-byte sum of all 128 bytes in this EDID block shall = 0)	-	-